

The LX Series is robust, weatherproof and specifically designed for short-range outdoor Event-Driven CCTV applications.

The small size and attractive finish ensures that it will blend into even the most sensitive areas. Wide angle and long-range options offer flexibility and advanced features such as sensitivity and range adjustment. A built-in light sensor provides day and night modes and further adds to the flexibility of the LX Series.

An ingenious mirror assembly allows the sensor to provide a pet alley configuration, while the inclusion of Optex patented 'Double Conductive Shielding' ensures the sensor is highly resistant to interference from foreign light sources such as the sun and car headlights.



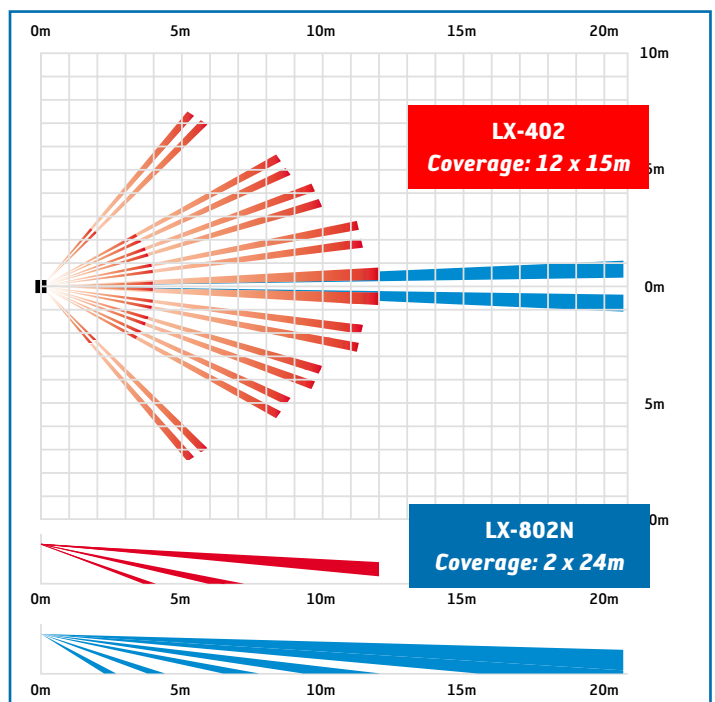
FEATURES

- **Double Conductive Shielding**
- **Selectable detection patterns (Pet Alley or Multi-level)**
- **Area-masking strips (LX-402 only)**
- **Sensitivity selection switch**
- **Selectable pulse count (test or 2)**
- **Day & night modes**

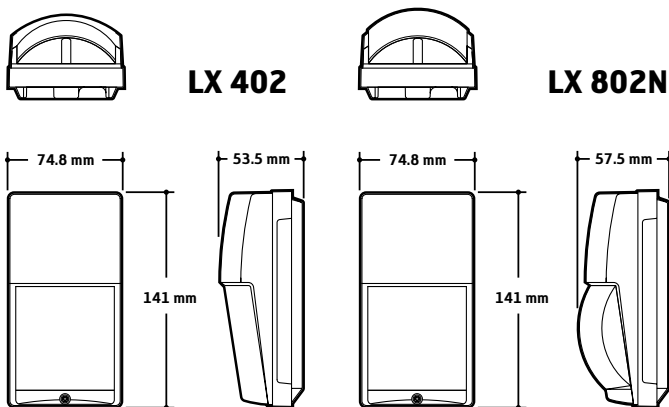
OPTIONS

- **CA-2C Ceiling-mount bracket**
- **CA-1W Multi-angle wall-mount bracket**

COVERAGE



DIMENSIONS



SPECIFICATIONS



LX 402
40 zones
LX 802N
12 zones



10.8-13.2V
DC



25mA



-20°C




+50°C



LX 402
170g
LX 802N
190g



IP54



Output Form C
28VDC - 2 amp



Tamper Form B