



Videcon  
P L C

## Vandal Resistant IR Dome Camera

### DESCRIPTION

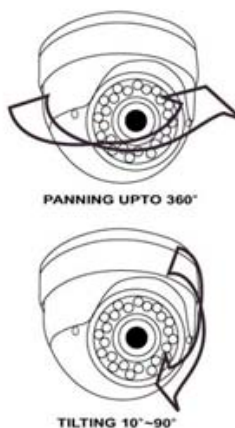
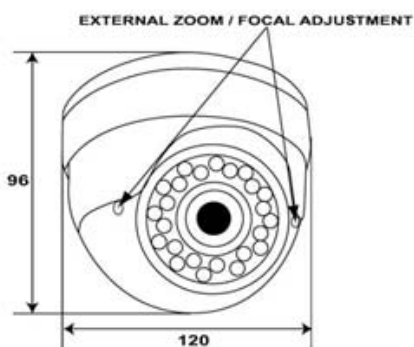
Designed for areas that are prone to attack, the DSIRHRV is enclosed in a vandal resistant and weatherproof housing. The robust design of the DSIRHRV makes it a highly visible camera that can act as a deterrent in hostile environments.

This high-resolution ball dome comes complete with 24 in-built IR LEDs and CDS sensor. Amongst a wide array of functions, the DSIRHRV features an external zoom/focal adjustment for ease of setup.



### KEY FEATURES

- 1/3" Sony Super HAD CCD
- Built in 24 IR LEDs & CDS Sensor
- External Zoom/Focal length Adjustment
- Vandal Resistant & Weatherproof Housing (IP66)



DSIRHRV

# Vandal Resistant IR Dome Camera



## TECHNICAL SPECIFICATION

Image Pick-up Device	1/3" Sony Super HAD CCD
Effective Picture Elements	752x582
Horizontal Resolution	480TV Lines
Minimum Illumination	0.1Lux (CDS ON : 0.000Lux)
S/N Ratio	45dB
Auto Electronic Shutter	1/50s~1/100,000
Iris Control	Auto
Gamma Characteristic	0.45
Lens mount	4~9mm Vari Focal Lens(F=1.6)
Backlight compensation	ON
AGC	Auto
Synchronous System	Negative sync, Internal
Video Output	1Vp-p Composite Video/75 Ohms
Power Supply	DC 12V / 140mA (CDS ON : 400mA Max)
Operating Temp	-20°C to 50°C
Dimensions	120(W)mmx96(D)mm
Weight	Approx 600g

[www.videcon.co.uk](http://www.videcon.co.uk)

Vision House, High Street,  
Heckmondwike, West Yorkshire  
WF16 OAD UK

Tel +44 (0) 1924 528000  
Fax +44(0) 1924 528005  
E-mail [sales@videcon.co.uk](mailto:sales@videcon.co.uk)

DSIRHRV